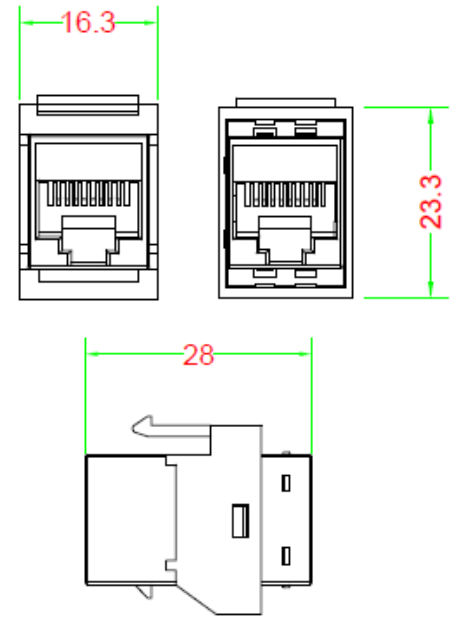


Category Coupler FTP & UTP



DESCRIPTION

Applications

- Female to female solution for connectors
- TIA 568C.2 ISO/IEC 11801
- RJ45 In-line coupler
- Panel mount type

Features

- Design for C3 & C5E & C6 wiring system
- Contacts are phosphor bronze plated with 50 micro inches hard gold

Specifications

Item	Value
Jack Insertion life	>750 times
Contact resistance	20m ohm
DC resistance	Max 0.1ohm
Temperature Range	-40°C ~ +70°C

ORDER INFORMATION

K J- - -CP- - -
 ① ② ③ ④ ⑤ ⑥

① Assembly Type		② Isolation Type	③ Angle Type	④ IDC Type	⑤ Shutter Type	⑥ color	
CAT3=C3	CAT5E=5E	U:UTP	CP: Coupler	J:RJ45		WH	GR
CAT5=C5	CAT6=C6	F:FTP					