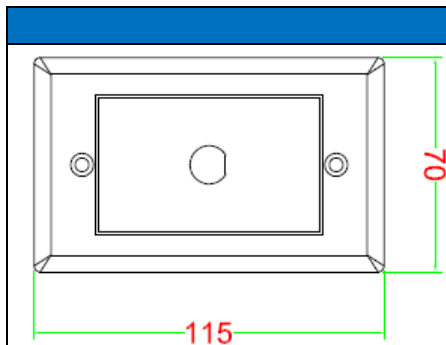
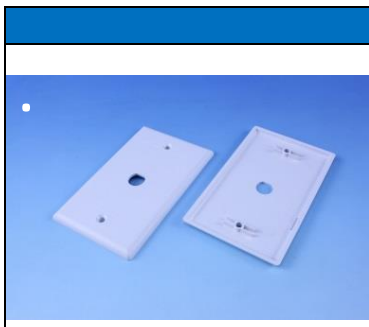


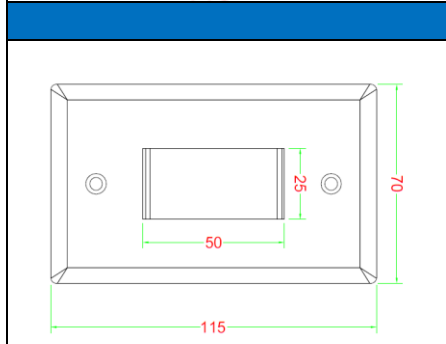
Faceplate



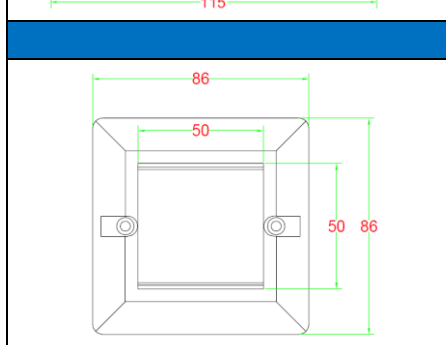
		<p>DESCRIPTION</p> <p>Stainless steel</p>
		<p>DESCRIPTION</p> <p>Plate : ABS</p> <p>Materials:</p> <p>Operation Temperature : -40 °C ~ +70 °C</p>
		<p>DESCRIPTION</p> <p>Plate : ABS</p> <p>Materials:</p> <p>Operation Temperature : -40 °C ~ +70 °C</p>
		<p>DESCRIPTION</p> <p>Operation Temperature : -40 °C ~ +70 °C</p> <p>Plate : ABS UL-94V0</p>
		<p>DESCRIPTION</p> <p>Operation Temperature : -40 °C ~ +70 °C</p> <p>Plate : ABS UL-94V0</p>



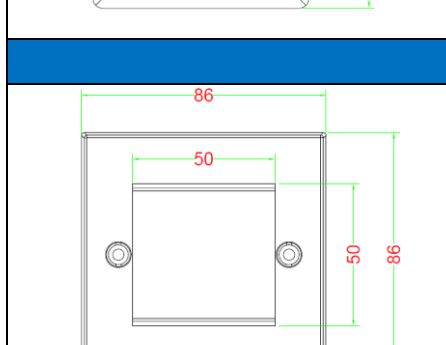
DESCRIPTION
 Operation Temperature : -40 °C ~ +70 °C
 Plate : ABS UL-94V0



DESCRIPTION
 Operation Temperature : -40 °C ~ +70 °C
 Plate : ABS UL-94V0



DESCRIPTION
 Operation Temperature : -40 °C ~ +70 °C
 Plate : ABS UL-94V0



DESCRIPTION
 Operation Temperature : -40 °C ~ +70 °C
 Plate : ABS UL-94V0